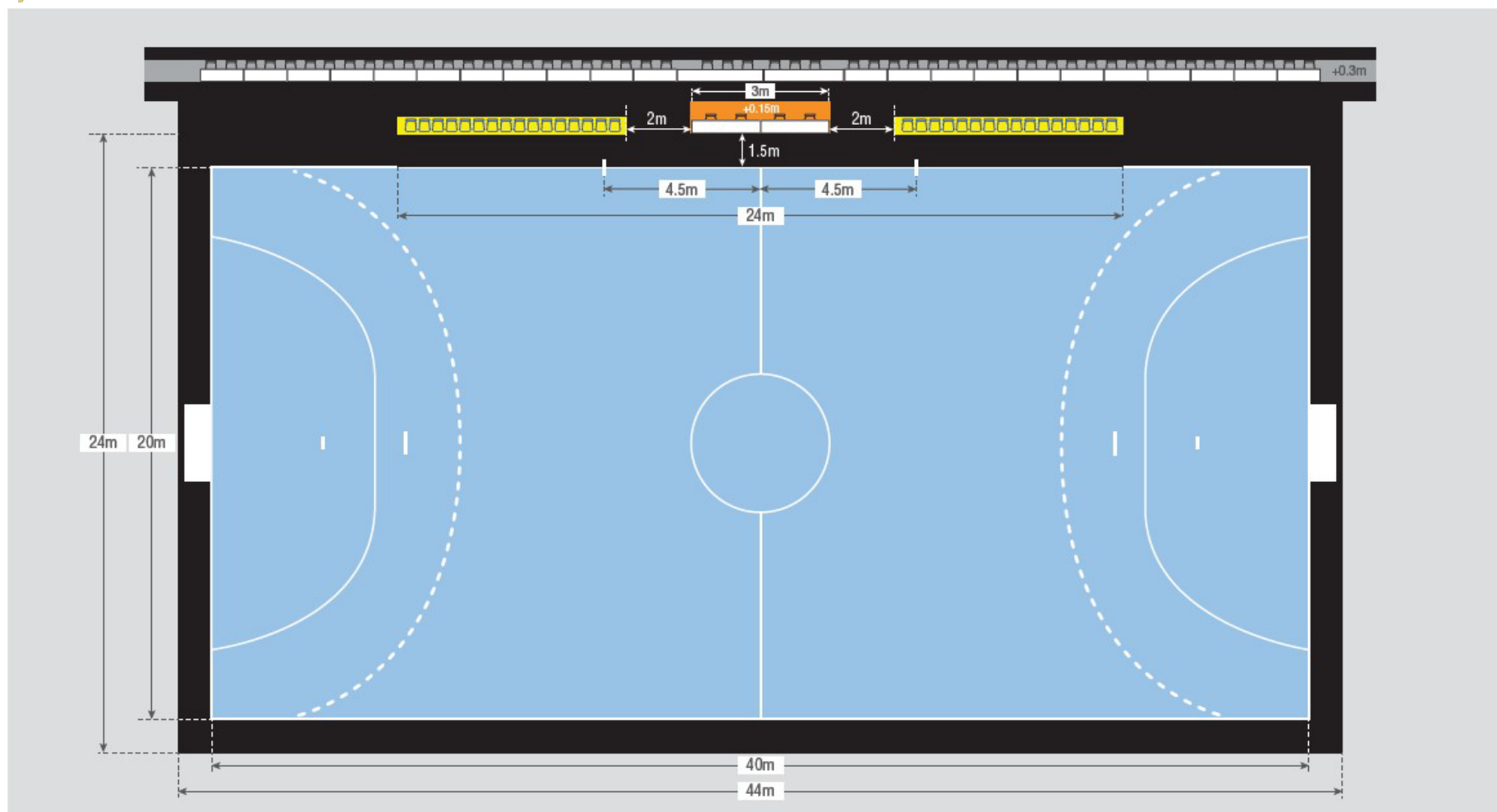


## 2. HALL MINIMUM REQUIREMENTS & SET-UP DELO EHF CHAMPIONS LEAGUE WOMEN



### Court Set-Up

- EHF Champions League flooring
- Safety distance to advertising boards – 1m from the side line, 2m from the outer goal line



Playing Court	40m x 20m
Base Area	44m x 24m
Min. Hall Capacity	2.000
Stands	Both long sides
Scoreboards	Two or Cube
Judges' Table	3m x 0,7m
Chairs Judges' Table	Four
Chairs Sub. Area	16
Catch net	Black; 20m x 7
Min. Lighting	1000 LUX

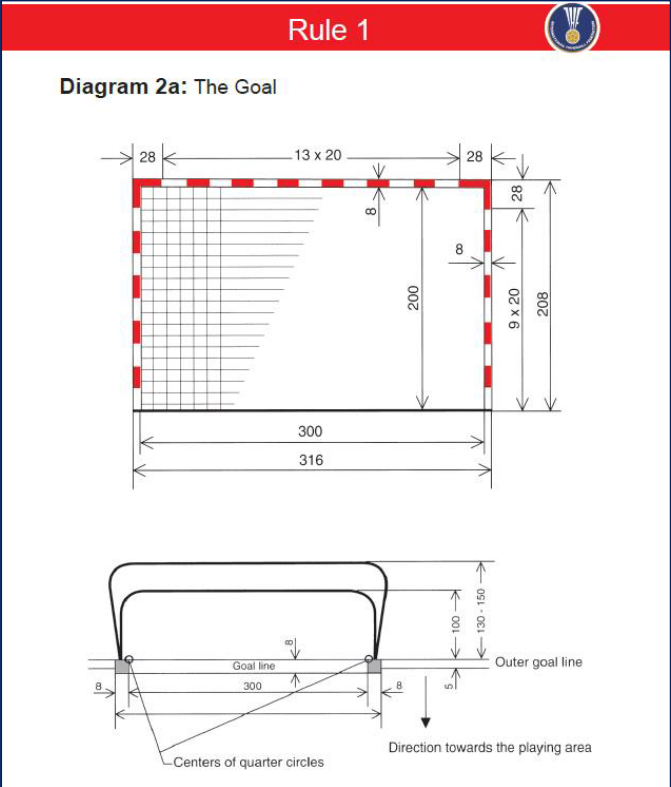


Floor thoroughly cleaned
Handball lines only / EHF CL flooring
Hall free of other sports equipment
Main camera behind judges' table
Heating / Central air conditioning
Support table (optional) – 4.5m x 1m
Timekeeper's equipment
Mixed zone / Flash zone
Catch net fixed on ad boards
Anti-Doping Room

**HANDBALL LINES ONLY - CORRECT SET-UP**



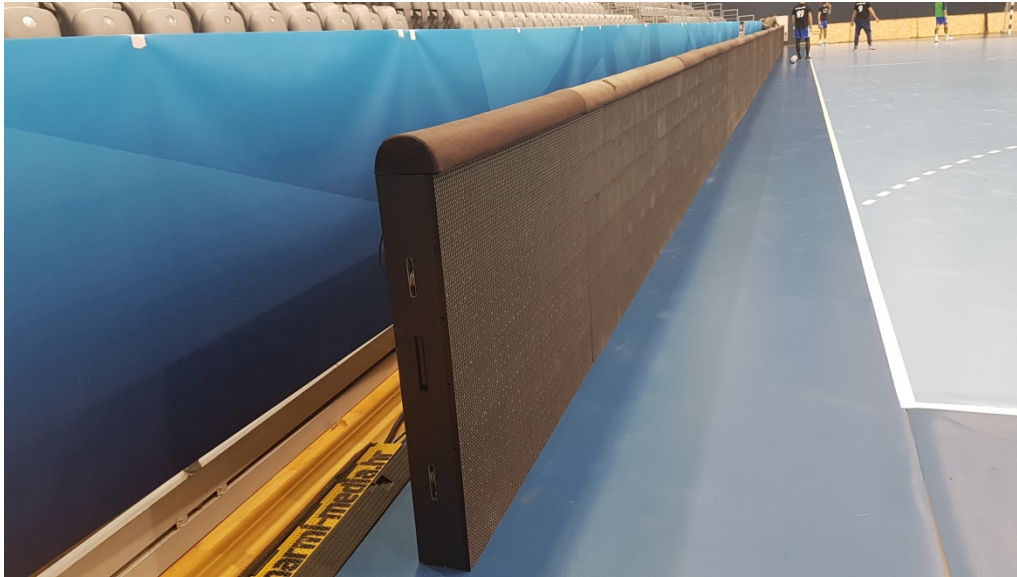
**THE GOAL: CORRECT SET-UP**





## AD BOARDS: SAFETY DISTANCE

CORRECT DISTANCE



INCORRECT DISTANCE





## SUBSTITUTION AREA



- ✓ One row
- ✓ Sixteen chairs
- ✓ Taped together



- × Double row
- × More than sixteen seats
- × Benches



## CATCH NETS

- ✓ Black (not visible on camera)
- ✓ Fixed on ad-boards

- × Any other colour (visible on camera)
- × Not fixed on ad boards, in front of advertising boards





## Electronic Advertising Board System

All participating clubs must provide an Electronic Advertising Board System according to the EABS Manual (see point 1) for all EHF Champions League Women matches. The EABS (LCD or LED) must have minimum 80 m in total – minimum 40 m and maximum 42 m on the long side (opposite the main TV camera) and 20 m on each short side (behind the goal) of the playing court. The total height must be minimum 0,8 m and maximum 1,1 m. Only EHF/M approved EABS can be used for EHF Champions League matches.

